



# DBAL-MK II USER'S MANUAL

Be sure to read this user's manual thoroughly before use, and follow them for correct use.

## Names of parts:



① Flashlight / IR-Illuminator  
\* pre-installed glass lens (Flashlight function), the IR filter require manual install(IR-Illuminator function)

② Flashlight Cover

③ Battery Cap

④ Laser Cover(rubber)

⑤ Laser Pointer (Red Laser)

⑥ Laser Pointer (Green Laser or IR laser)

⑦ Elevation Adjustable

⑧ Windage Adjustable

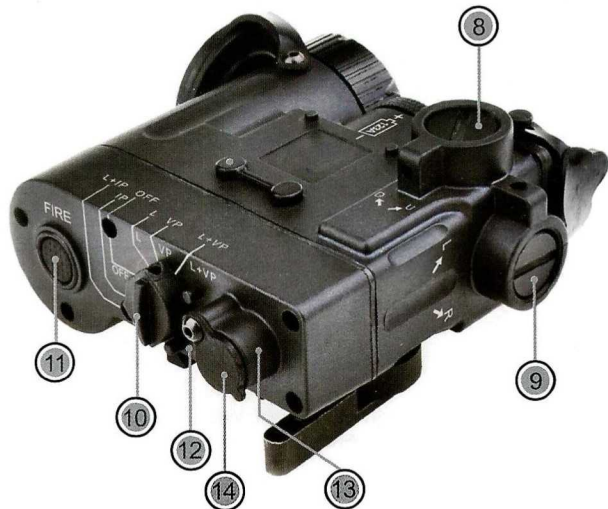
⑩ Functional Switch

⑪ Power Button

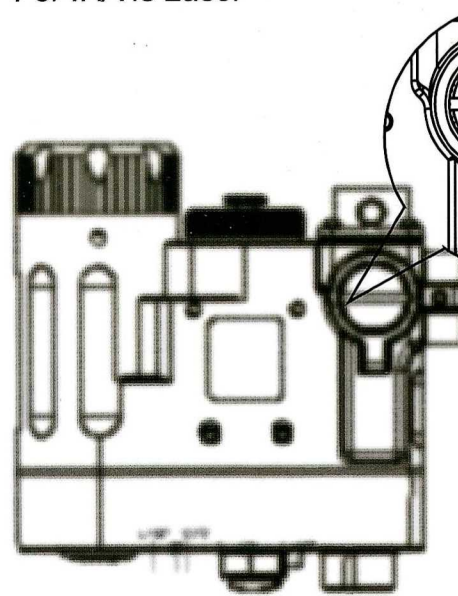
⑫ Status Indicator

⑬ Remote Switch Plug

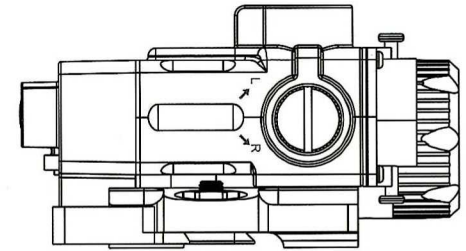
⑭ Remote Switch Plug Cover



## Operation Manual: For IR/Vis Laser

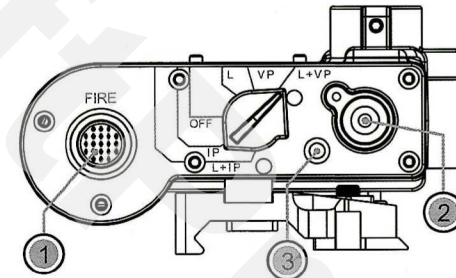


**Elevation Adjustable:**  
縱向調節:  
“U” for clockwise to turn up the point  
“L” 表示順時針轉動能調節鐳射照準點向左移  
“D” for anti clockwise for turn down the pointer  
“D” 表示逆時針轉動能調節鐳射照準點向下移



## Windage Adjustable:

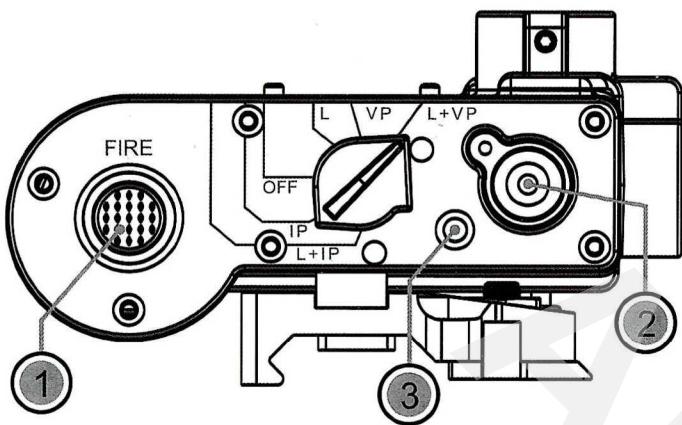
橫向調節:  
“L” for clockwise to turn left the pointer  
“L” 表示順時針轉動調節鐳射照準點向左移  
“R” for anti clockwise to turn right the pointer  
“R” 表示逆時針轉動調節鐳射照準點向右移



① “Fire” button only control on/off of the function you selected.  
“Fire” 按鍵控制檔位所指功能

② Remote switch will control Flashlight and IR/VIS laser in the same time (standard for “momentary” mode,double click for “constant on” mode).  
線控按鍵能根據特定功能檔位的設定同時控制可見光照明/不可見光補光燈，可見鐳射照準與不可見鐳射照準

③ Status Indicator can show you the function is ON or OFF.  
狀態指示燈能反映出功能是否已啟動



L+IP: White Light + IR Laser/Green Laser  
L+IP:白光 + IR鐳射或者綠鐳射

IP:IR Laser/Green Laser  
IP:IR鐳射或者綠鐳射

OFF: System off  
OFF:關閉

L:White Light  
L:白光照明

VP:Red Laser  
VP:紅鐳射

L+VP:White Light + Red Laser  
L+VP:白光+紅鐳射

Pressure Pad Function:  
Press once for temporary work.  
Press quickly twice for working continuous.

鼠尾操作:  
按壓一次, 點亮功能。  
快速按壓兩次, 常亮功能。

\*Notice the IR laser can only see with NVG(Night Vision Google)  
\*注意: 不可見光鐳射只可見於夜視儀

## How to change IR filter and glass lens?

如何更換紅外線與透明鏡片



1: Rotate the metal lamp ring anti-clockwise as shown.  
將金屬環逆時針轉動, 如圖所示



2: You will get the lens after you take apart with the lamp ring(whatever it is IR filter or glass lens)  
當你拆出燈環後, 便能得到鏡片了(無論這是紅外線過濾片還是透明鏡片)



3: Choose other lens to replace it, and put it back as step 1 did (but rotate clockwise)  
選擇另外的鏡片替換上去, 按照“步驟一”的方式安裝(此時是順時針方向轉動)

\* NOTICE: IR filter is for NVG device user, there's no any sign at daylight. When you install IR filter, you will not able to use "Tactical Flashlight" and the function with it. So if you need "Tactical Flashlight" function, you have to pre-install glass lens.\*

注意: 紅外線過濾鏡片是為有夜視儀的用戶使用, 在白天環境下肉眼無法觀察效果。當你安裝了紅外線過濾片後, 你將無法在本產品上使用“白光照明”和對應的功能檔; 如需要“白光照明”, 應該更換透明鏡片